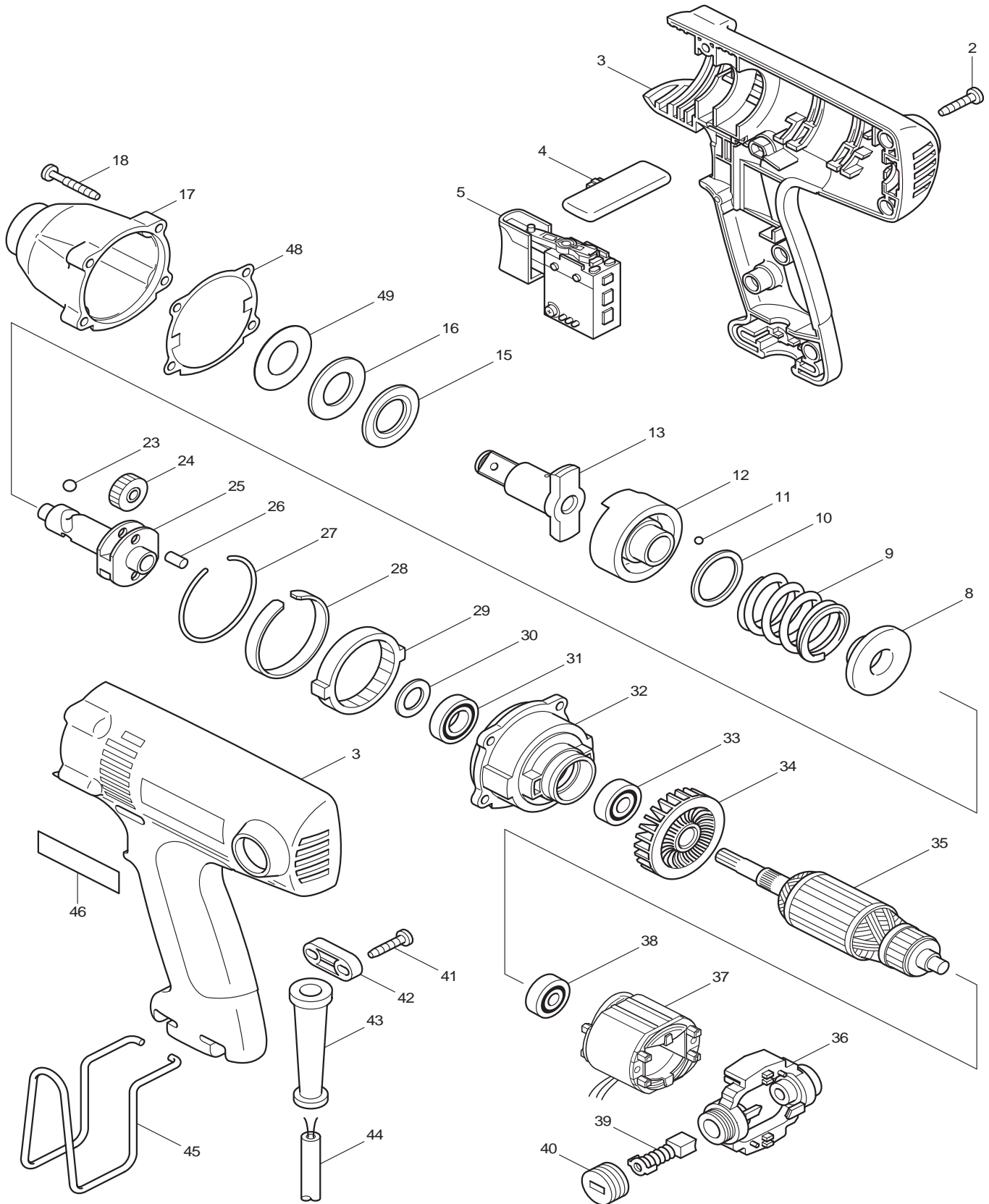




11-2009  
6953  
1/2" IMPACT WRENCH



Item No	Type	Ref	Part No	Description	Qty	Unit
2			265995-6	TAPPING SCREW 4X18	7	PC.
3			183394-9	HOUSING SET	1	SET
		INC.	263002-9	RUBBER PIN 4	2	PC.
		INC.		Item No. 46		
4			417553-6	F/R CHANGE LEVER	1	PC.
5			650523-4	SWITCH C3MA-DB	1	PC.
8			267759-4	CUP WASHER 14	1	PC.
9			233335-6	COMPRESSION SPRING 25	1	PC.
10			267175-0	FLAT WASHER 24	1	PC.
11			216001-0	STEEL BALL 3.5	25	PC.
12			324174-6	HAMMER	1	PC.
13			324178-8	ANVIL	1	PC.
15			267227-7	FLAT WASHER 18	1	PC.
16			261120-7	RUBBER WASHER 18	1	PC.
17			152827-5	HAMMER CASE COMPLETE	1	PC.
		INC.	213257-6	OIL SEAL 18	1	PC.
		INC.	257714-4	SLEEVE 18	1	PC.
18			266295-7	HEX. SOCKET HEAD BOLT M4X30 (WITH ADHESIVE)	4	PC.
23			216011-7	STEEL BALL 5.6	2	PC.
24	1		227027-7	SPUR GEAR 22	2	PC.
	2		227233-4	SPUR GEAR 22 (GROOVE ON 1 SIDE)	2	PC.
25			324090-2	SPINDLE	1	PC.
26			256253-1	PIN 5	2	PC.
27			233910-8	RING SPRING 43	1	PC.
28			344991-8	C-SLEEVE 45	1	PC.
29			227001-5	INTERNAL GEAR 51	1	PC.
30			267212-0	FLAT WASHER 12	1	PC.
31			211140-1	BALL BEARING 6901LLB	1	PC.
32			317428-8	INTERNAL GEAR CASE	1	PC.
33			210024-0	BALL BEARING 608LLU	1	PC.
34			240046-6	FAN 46	1	PC.
35			517551-1	ARMATURE ASS'Y 115V	1	PC.
		INC.		Item No. 33,34,38		
36			152990-4	HOLDER ARM COMPLETE	1	PC.
		INC.	643981-1	BRUSH HOLDER 6X9	2	PC.
37			635046-3	FIELD 115V	1	PC.
38			211021-9	BALL BEARING 607LLB	1	PC.
39	1		191938-1	CARBON BRUSH CB-408 2PC/SET (W/O ORIGIN)	1	SET
	2		195008-8	CARBON BRUSH CB-408 2PC/SET (W/ ORIGIN)	1	SET
40			643928-5	BRUSH HOLDER CAP	2	PC.
41			265995-6	TAPPING SCREW 4X18	2	PC.
42			687063-9	STRAIN RELIEF	1	PC.
43			682559-5	CORD GUARD 8	1	PC.
44			664064-4	CORD W/PLUG 2P-18-2.5M, SJ	1	PC.
45			324284-9	HOOK	1	PC.
46			819063-3	MAKITA LABEL	1	PC.
48			442137-1	GASKET	1	PC.
49			267235-8	FLAT WASHER 18	1	PC.
100			322045-1	CLIP	1	PC.
101			323675-1	PIN 4	1	PC.
<b>ACCESSORIES</b>				<b>- See catalogue or visit <a href="http://www.Makita.ca">www. Makita.ca</a> for more accessories information -</b>		
A01			824630-1	PLASTIC CARRYING CASE	1	PC.
		INC.	186347-7	SLIDE LATCH SET	1	SET